



CARRARO

Spare Parts List

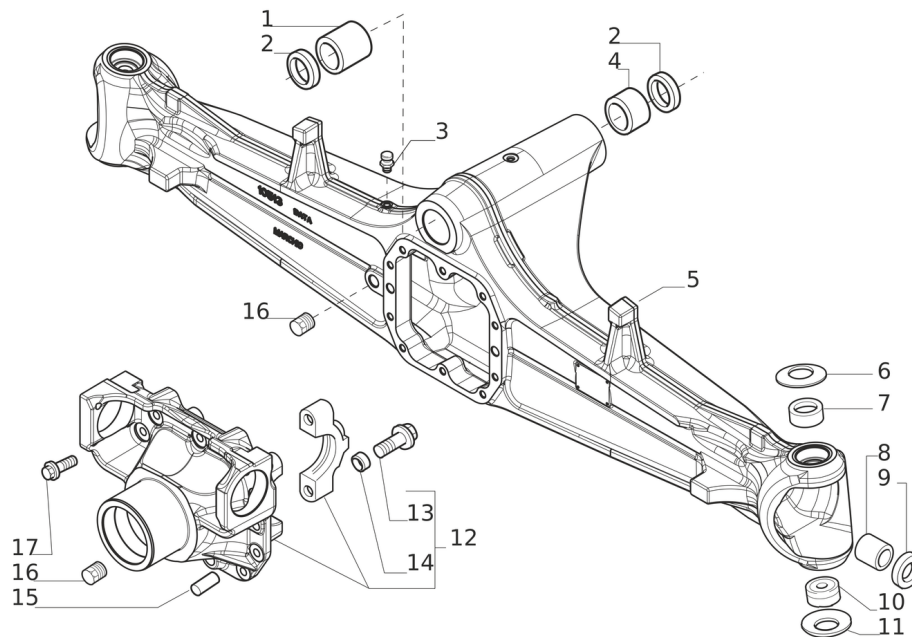
409753_26.24_(ECO31045)

REF. 409753

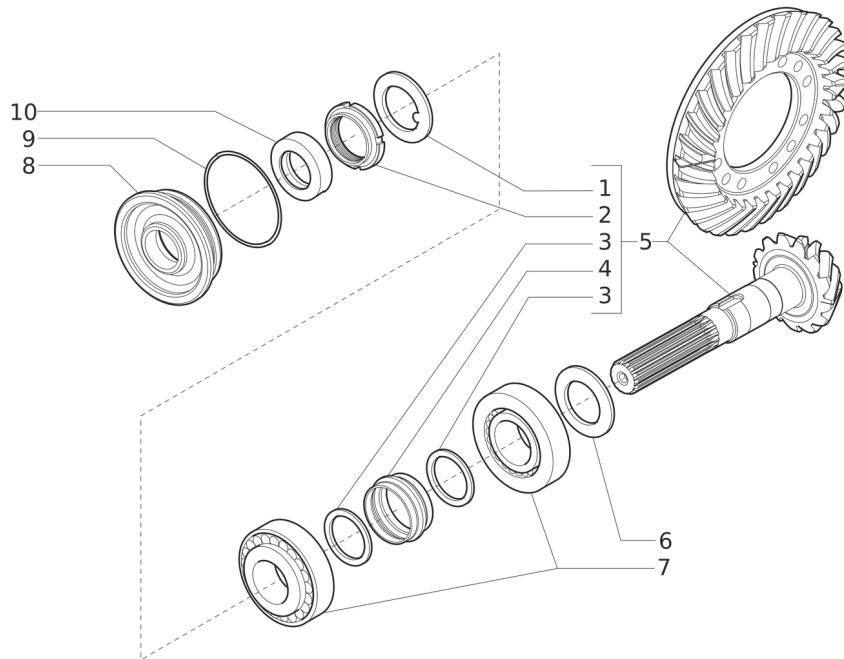
Sept, 2016 - ECO31045

The drawings in this manual have the scope to sole purpose of illustrating the components and their assembly. The part and its relevant position. The shape of the component may be slightly different from that illustrated in the drawing

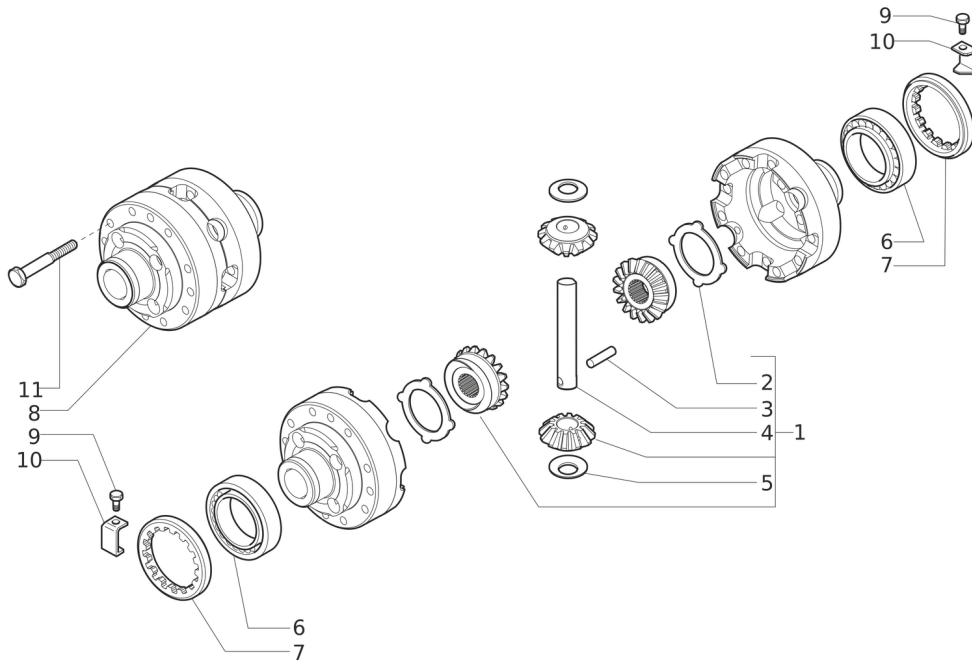
| | |
|------------|--|
| TAB. 1.0.0 | Corpo assale <i>Axle housing</i> |
| TAB. 2.0.0 | Calotte e cilindro di sterzo <i>Swivel housings and steering cylinder</i> |
| TAB. 3.0.0 | Differenziale <i>Differential</i> |
| TAB. 4.0.0 | Differenziale <i>Differential</i> |
| TAB. 5.0.0 | Doppio giunto <i>Double U-joint</i> |
| TAB 6 0 0 | Mozzo ruota <i>Wheel hub</i> |
| TAB 7 0 0 | Riduzione epicicloidale <i>Final reduction</i> |



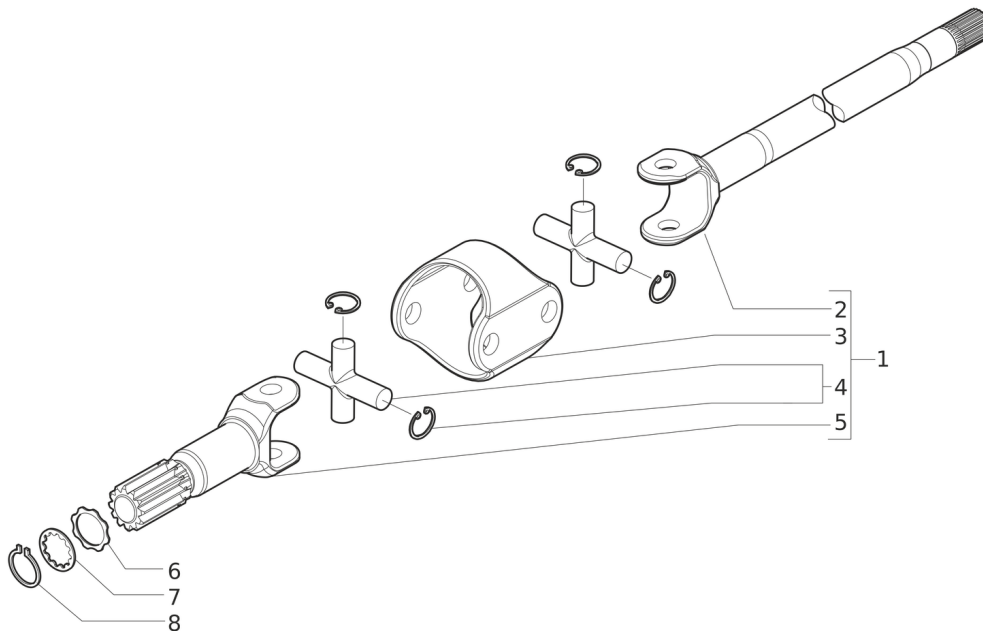
| Pos. | Ref. | Q.ty | Descrizione | Description | Kit | Note |
|------|--------|------|-------------------------|-----------------------------|-----|------|
| 1 | 126610 | 1 | Boccola | Bush | | |
| 2 | 120717 | 2 | Anello tenuta | Seal ring | | |
| 3 | 104988 | 1 | Sfiato M10x1 | Breather M10x1 | | |
| 4 | 126611 | 1 | Boccola | Bushing | | |
| 5 | 642541 | 1 | Trave | Axle housing | | |
| 6 | 128633 | 2 | Molla a tazza 71x36x2.5 | Belleville washer 71x36x2.5 | | |
| 7 | 45168 | 2 | Boccola | Bush | | |
| 8 | 109972 | 2 | Bussola 35x39x35 | Bush 35x39x35 | | |
| 9 | 641734 | 2 | Anello tenuta | Seal ring | | |
| 10 | 45161 | 2 | Rotula sferica | Spherical bearing | | |
| 11 | 128630 | 2 | Molla a tazza 70x47.5x1 | Belleville washer 70x47.5x1 | | |
| 12 | 642698 | 2 | Supporto differenziale | Differential support | | |
| 13 | 126022 | 1 | Vite M14x2x75 | Bolt M14x2x75 | | |
| 14 | 72235 | 4 | Boccola di centraggio | Centering bush | | |
| 15 | 87660 | 4 | Perno D.15x35 | Pin D.15x35 | | |
| 16 | 92270 | 2 | Tappo M22x1.5 | Plug M22x1.5 | | |
| 17 | 125827 | 10 | Vite M12x1.75x33 | Bolt M12x1.75x33 | | |



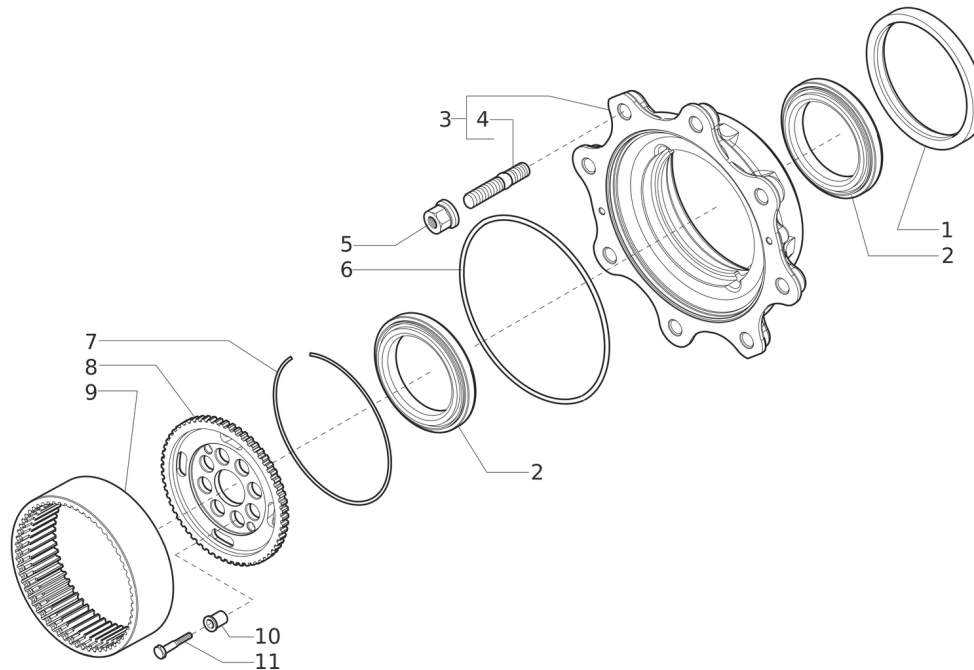
| Pos. | Ref. | Q.ty | Descrizione | Description | Kit | Note |
|------|--------|------|---------------------------|-----------------------------|-------|-------|
| 1 | 113717 | 1 | Rondella | Washer | 68471 | |
| 2 | 115054 | 1 | Fermo ghiera | Ring nut | 68471 | 66303 |
| 3 | 125829 | 2 | Rondella | Washer | 68471 | |
| 4 | 125806 | 1 | Distanziale elastico | Collapsible spacer | 68471 | |
| 5 | 68471 | 1 | Kit coppia conica Z 12/32 | Bevel gear/Pinion set 12/32 | | |
| 6 | 132274 | 0 | Shim 3,40mm | - | | |
| 6 | 132273 | 0 | Shim 3,30mm | - | | |
| 6 | 132272 | 0 | Shim 3,20mm | - | | |
| 6 | 132271 | 0 | Shim 3,10mm | - | | |
| 6 | 132269 | 0 | Shim 2,90mm | - | | |
| 6 | 132270 | 0 | Shim 3,00mm | - | | |
| 6 | 132268 | 0 | Shim 2,80mm | - | | |
| 6 | 132267 | 0 | Shim 2,70mm | - | | |
| 6 | 132266 | 0 | Shim 2,60mm | - | | |
| 6 | 132265 | 0 | Shim 2,50mm | - | | |
| 7 | 27350 | 2 | Cuscinetto | Bearing | | |
| 8 | 129929 | 1 | Coperchio paraolio | Oil seal cover | | |
| 9 | 28212 | 1 | Anello OR | O.ring | | |
| 10 | 134363 | 1 | Anello di tenuta | Oil seal ring | | |



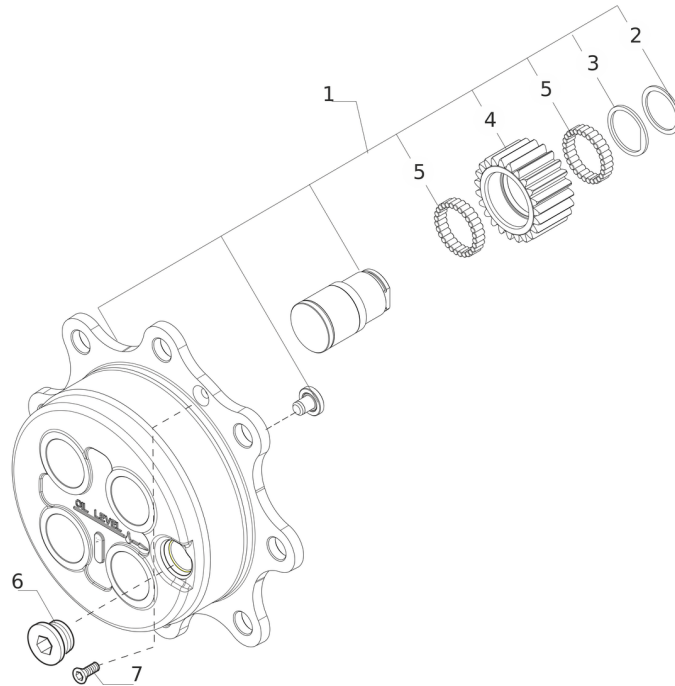
| Pos. | Ref. | Q.ty | Descrizione | Description | Kit | Note |
|------|--------|------|------------------------------|----------------------|-------|-------|
| 1 | 66161 | 1 | Kit ingranaggi differenziale | Differential kit | | |
| 2 | 482956 | 2 | Controdisco | Counter plate | 66161 | 66156 |
| 3 | 116451 | 1 | Spina | Pin | 66161 | 66145 |
| 4 | 115731 | 1 | Perno | Pin | 66161 | 68756 |
| 5 | 115730 | 2 | Rondella spallamento | Thrust washer | 66161 | 66145 |
| 6 | 27309 | 2 | Cuscinetto | Bearing | | |
| 7 | 107400 | 2 | Ghiera | Ring nut | | |
| 8 | 137972 | 1 | Scatola differenziale | Differential housing | | |
| 9 | 128440 | 2 | Vite M6x40 | Bolt M6x40 | | |
| 10 | 107778 | 2 | Fermo ghiera | Locking plate | | |
| 11 | 125552 | 12 | Vite M10x75 | Bolt M10x75 | | |



| Pos. | Ref. | Q.ty | Descrizione | Description | Kit | Note |
|------|--------|------|-------------------------------|-------------------|--------|--------|
| 1 | 149582 | 2 | Doppio giunto | Double joint | | |
| 2 | 48727 | 2 | Forcella (lato differenziale) | Fork (diff. Side) | 149582 | 149582 |
| 3 | 46279 | 2 | Corpo centrale | Central body | 149582 | 138443 |
| 4 | 40837 | 4 | Crociera | Spider | 149582 | 138443 |
| 5 | 48726 | 2 | Forcella (lato ruota) | Fork (wheel hub) | 149582 | 149582 |
| 6 | 132165 | 2 | Rondella | Thrust washer | | |
| 7 | 140024 | 2 | Rondella | Thrust washer | | |
| 8 | 24799 | 2 | Anello seeger D.45 | Snap ring D.45 | | |



| Pos. | Ref. | Q.ty | Descrizione | Description | Kit | Note |
|------|--------|------|------------------------------|-------------------------------|-------|-------|
| 1 | 149703 | 2 | Tenuta cass. 150-180-14,5/16 | Cassette seal 150-180-14,5/16 | | |
| 2 | 45180 | 4 | Cuscinetto | Bearing | | |
| 3 | 66993 | 2 | Kit mozzo ruota | Wheel hub kit | | |
| 4 | 130679 | 16 | Prigioniero | Stud | 66993 | 66304 |
| 5 | 121746 | 16 | Dado M18x1.5 | Nut M18x1.5 | | |
| 6 | 28668 | 2 | Anello OR | O.ring | | 63432 |
| 7 | 125344 | 2 | Anello d'arresto | Lockring | | |
| 8 | 131825 | 2 | Mozzo fermo corona | Wheel carrier | | |
| 9 | 131824 | 2 | Corona epicicloidale Z=60 | Crown gear Z=60 | | |
| 10 | 141196 | 16 | Bussola di centraggio | Centering bush | | |
| 11 | 140259 | 16 | Vite M10x45 | Bolt M10x45 | | |



| Pos. | Ref. | Q.ty | Descrizione | Description | Kit | Note |
|------|--------|------|--------------------------|--------------------------|-----|--------|
| 1 | 371238 | 2 | Gr. treno portasatelliti | Planetary carrier assy | | |
| 2 | 24793 | 8 | Anello seeger D.38 | Snap ring D.38 | | |
| 3 | 422757 | 8 | Ralla | Washer | | 441509 |
| 4 | 433921 | 8 | Ingranaggio Z=23 | Gear Z=23 | | 441509 |
| 5 | 28370 | 0 | Rullini (a decine) | Needle bearing (by tens) | | |
| 6 | 125280 | 2 | Tappo M30x2 | Plug M30x2 | | |
| 7 | 20490 | 2 | Vite M8x20 | Bolt M8x20 | | |